

# WINEGARD® Wingman® Antenna

Enhances UHF Performance.  
No tools required for installation.  
No wires to connect.

**NOT ALL PUSH RIVETS  
WILL BE USED WITH ALL  
MODELS.**

## Parts Included:

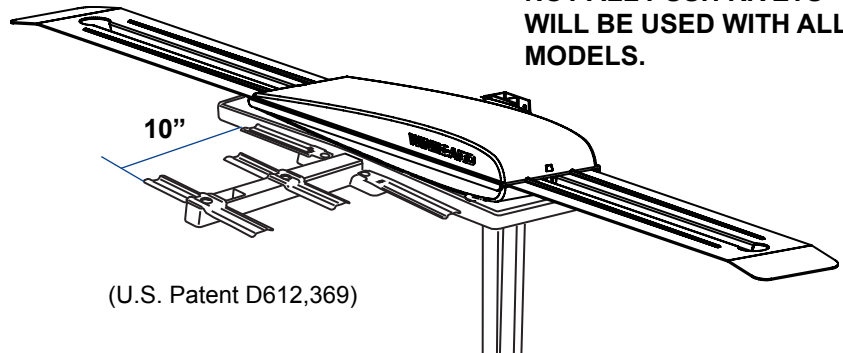
- (1) Wingman unit
- (4) Push Rivet

## Installation:

**NOTE: Skip steps 1, 2 & 5 for antennas mounted to a permanent structure.**

1. Allow at least 10" of clearance between the Sensor® and the nearest obstruction or the edge of the roof.
2. Raise the Sensor® antenna.
3. Remove the rubber bumpers from the bottom of the Sensor. This can be done with your fingers or pliers.
4. Line the holes in the Wingman up with the holes from which you removed the rubber bumpers. Gray models will not have bumpers.
5. Insert the push rivets provided into these holes. Push the rivet tabs until they click and lock into place.
6. Lower Antenna.

(U.S. Patent D612,369)



Winegard Company • 3000 Kirkwood Street • Burlington, Iowa 52601-2000 • FAX 319/754-0787 • www.winegard.com  
Printed in U.S.A. © Winegard Company, 2008 2452167 Rev. 4 8/10

# WINEGARD® Wingman® Antenna

Enhances UHF Performance.  
No tools required for installation.  
No wires to connect.

**NOT ALL PUSH RIVETS  
WILL BE USED WITH ALL  
MODELS.**

## Parts Included:

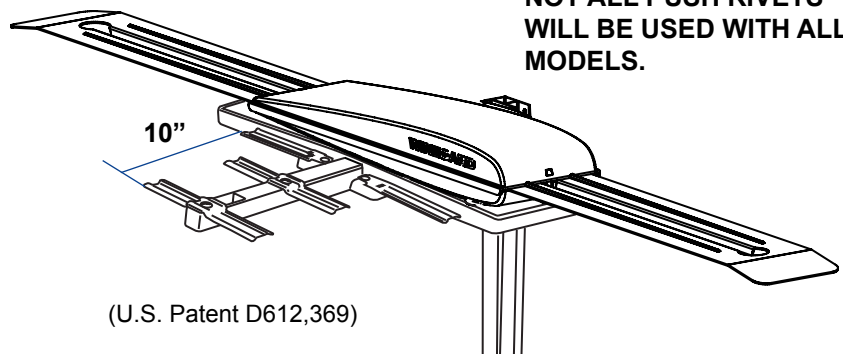
- (1) Wingman unit
- (4) Push Rivet

## Installation:

**NOTE: Skip steps 1, 2 & 5 for antennas mounted to a permanent structure.**

1. Allow at least 10" of clearance between the Sensor® and the nearest obstruction or the edge of the roof.
2. Raise the Sensor® antenna.
3. Remove the rubber bumpers from the bottom of the Sensor. This can be done with your fingers or pliers.
4. Line the holes in the Wingman up with the holes from which you removed the rubber bumpers. Gray models will not have bumpers.
5. Insert the push rivets provided into these holes. Push the rivet tabs until they click and lock into place.
6. Lower Antenna.

(U.S. Patent D612,369)



Winegard Company • 3000 Kirkwood Street • Burlington, Iowa 52601-2000 • FAX 319/754-0787 • www.winegard.com  
Printed in U.S.A. © Winegard Company, 2008 2452167 Rev. 4 8/10