



When ordering parts, always state:
 MODEL NO. - PRODUCT NO. - QUANTITY -
 PART NUMBER - DESCRIPTION
For Electric Details also state:
 VOLTAGE - WATTAGE

USA
 SERVICE OFFICE
 Dometic Corporation
 2320 Industrial Parkway
 Elkhart, IN 46516
 574-294-2511

CANADA
 Dometic Corporation
 46 Zatonski, Unit 3
 Brantford, ON N3T 5L8
 CANADA
 519-720-9578

**For Service Center
 Assistance Call:**
 800-544-4881

MODEL DM2652 Refrigerator

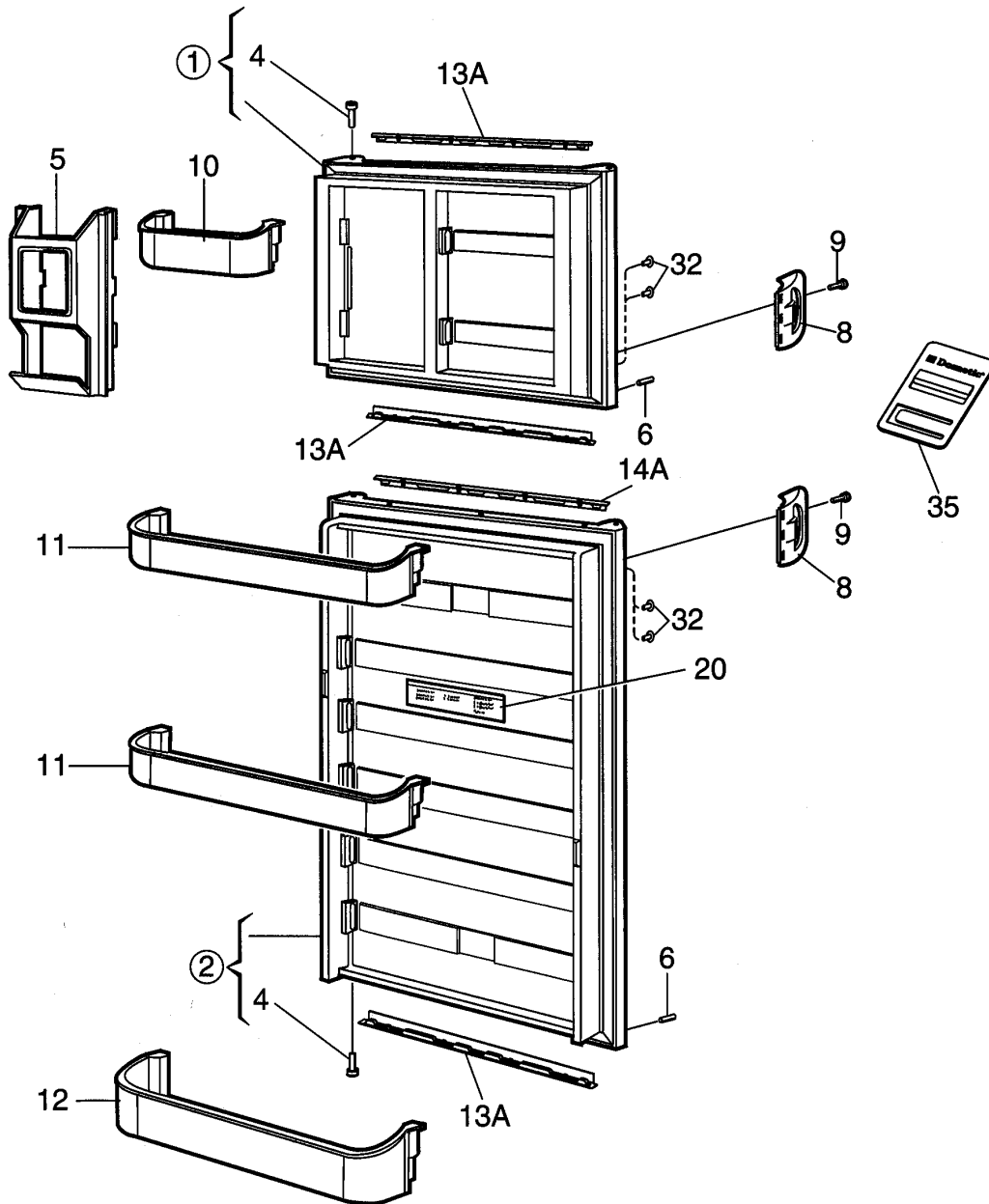
Product No.	Model	Voltage	Refrig Frame Color	Door Style	Door/Door Trim Color	Market	Brand
921144184	DM2652	120VAC	Brown	Standard	Brown	USA/Can	Dometic
921144185	DM2652	120 VAC	Brown	Standard	Brown	USA/Can	Dometic

PARTS LIST

**MODEL
 DM2652
 Series**

SPECIFICATIONS	
Model	DM2652
Product No.*	921144184 921144185
Energy Source**	120 VAC, Gas
AC Heating Element	
Amperage	2.7
Ohn Resistance $\pm 10\%$	44
Wattage	325
BTU's Gas Burner	1,500
Jet Size	#58
Flue Baffle	
Size	5-18" x 13/16"
Position Above Burner	1-7/8"
Ice Trays	0
Crispers	2
Bottle Holders	0
Climate Control Heater	
Watts	6
Ohms	24
Amperage	0.5
* Product numbers located on refrigerator data plate	
** 12volt DC power is required to operate the refrigerator controls on all models	

DOOR ASSEMBLY



NCMOA2093808

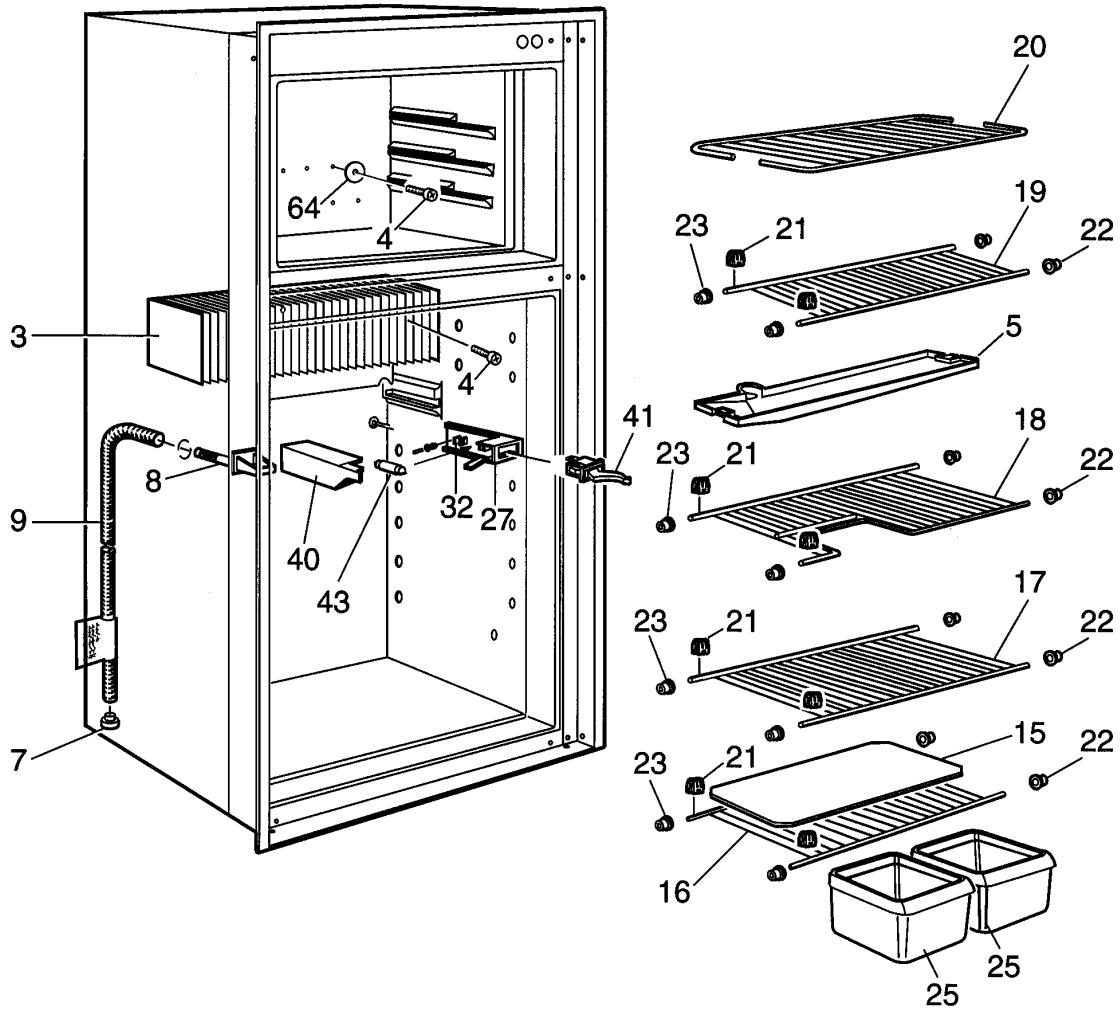
DOOR ASSEMBLY

DM2652 Prod No.921144184 = A

DM2652 Prod No. 921144185 = B

Index	Part Number	Model	Description
1	2932561091	A --	Freezer Door, LH, Brown
	2932561109	-- B	Freezer Door, RH, Brown
2	2932563030	A --	Refrigerator Door, LH, Brown
	2932563048	-- B	Refrigerator Door, RH, Black
4	2931171041	A B	Hinge Bushing,
5	2932578020	A B	Juice Container
6	2932588011	A B	Stopper
8	2932093012	A B	Handle, Brown
9	3858000031	A B	Screw, PT 50x26, Brown
10	2932577014	A B	Door Shelf
11	2932576016	A B	Door Shelf
12	2932575018	A B	Bottle Shelf
13A	3850919014	A B	Decoration Strip, Brown
14A	3850919089	A B	Decoration Strip, Brown
20	3851235006	A B	Label
32	3850625033	A B	Cover, Brown
35	3850781018	A B	Spacer, Door

CABINET, INTERIOR PARTS



NCMOD2093806

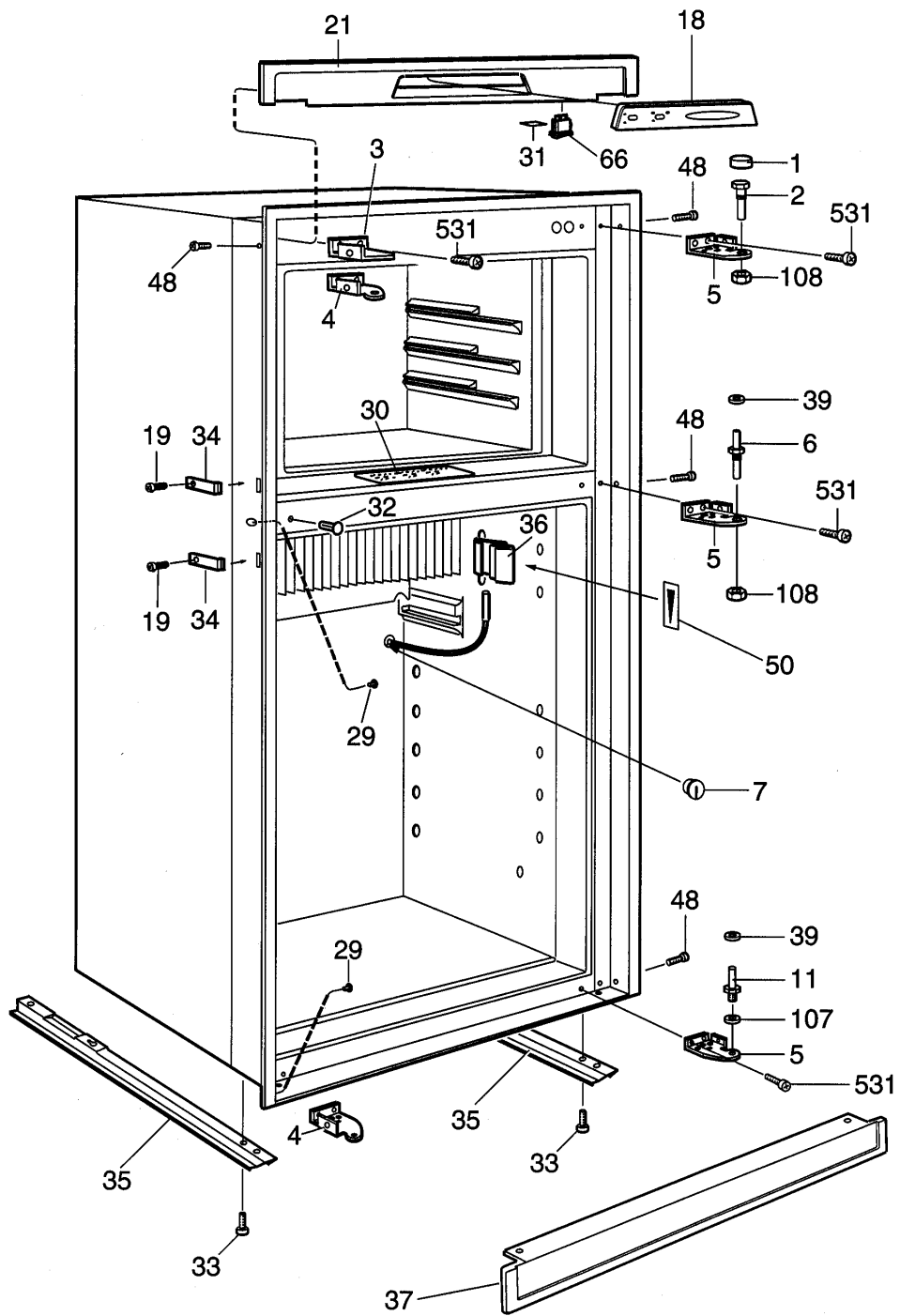
CABINET, INTERIOR PARTS

DM2652 Prod No.921144184 = A

DM2652 Prod No. 921144185 = B

Index	Part Number	Model		Description
3	2932630011	A	B	Cooling Flange
4	3858036019	A	B	Screw, KFXS B10x38
5	2932624014	A	B	Evaporation Tray
7	2932115013	A	B	Discharge Pipe, Plug
8	2932635010	A	B	Drain
9	2932749019	A	B	Drain Hose
15	2931117176	A	B	Shelf
16	3850324025	A	B	Shelf
17	3850324017	A	B	Shelf
18	3850325014	A	B	Shelf
19	3850324033	A	B	Shelf
20	2932627025	A	B	Shelf
21	2932102011	A	B	Shelf Support
22	2932101013	A	B	Plug
23	2932103019	A	B	Plug
25	2932621010	A	B	Vegatable Box
27	2932523018	A	B	Lamp Holder
32	2932108018	A	B	Contact Pin
40	2932106012	A	B	Lamp Cover
41	2932665017	A	B	Switch
43	2007290006	A	B	Lamp, 10W, 12VDC
64	3858010147	A	B	Washer

CABINET, EXTERIOR PARTS



NCMOB2086689

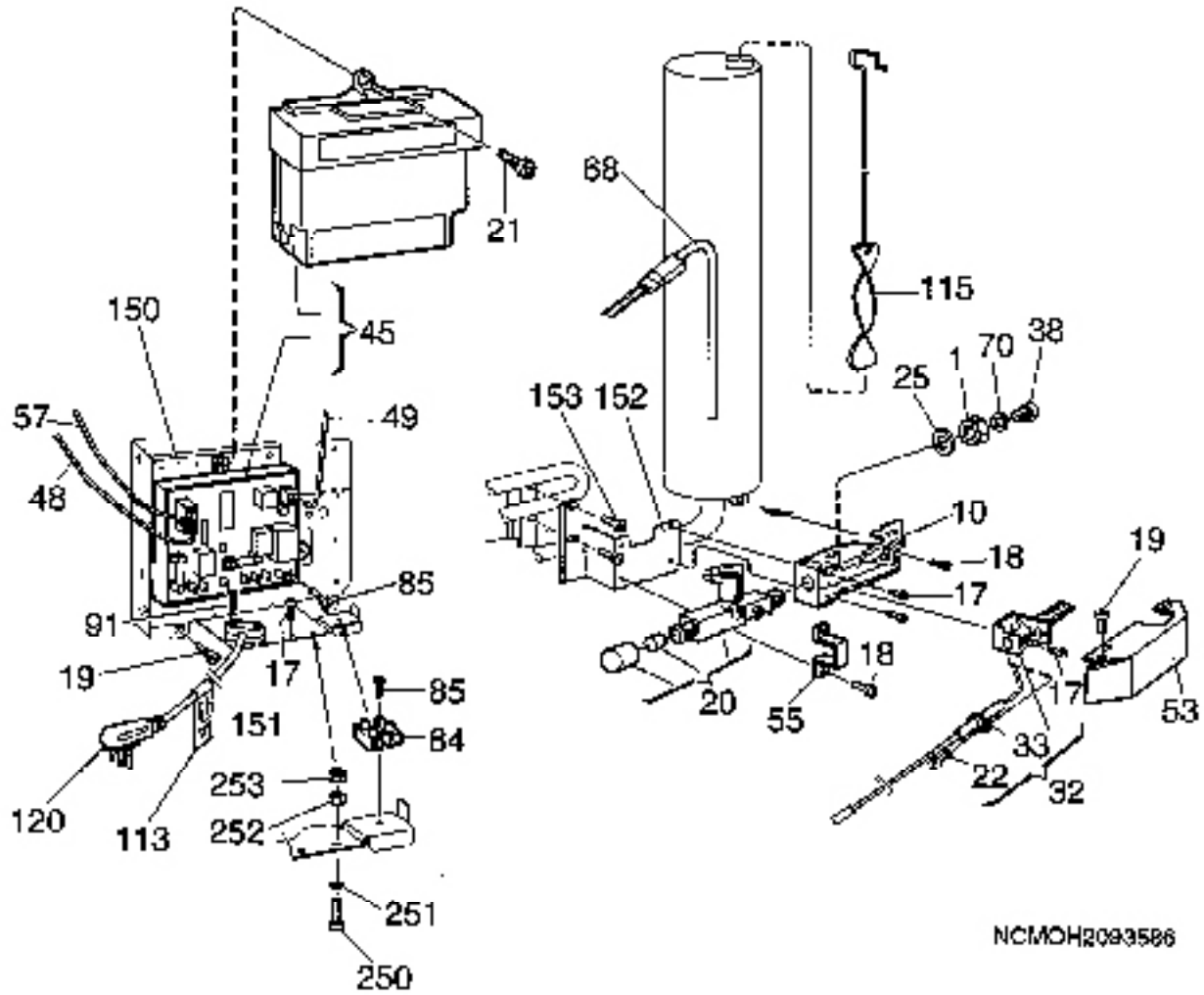
CABINET, EXTERIOR PARTS

DM2652 Prod No.921144184 = A

DM2652 Prod No. 921144185 = B

Index	Part Number	Model		Description
1	2932736016	A	B	Cover
2	2932647015	A	B	Hinge Pin Upper
3	2932644020	A	--	Bracket, RH,
	2932644012	--	B	Bracket, LH,
4	2932643022	A	--	Hinge
5	2932643014	A	B	Hinge
6	2932648013	A	B	Hinge Pin, middle
7	2002301006	A	B	Cover
11	2932649011	A	B	Hinge Pin, Lower
18	2932771013	A	B	Panel, Display Board
19	3858002052	A	B	Screw, RXS B6x6.5
21	2932641018	A	B	Front, Brown
29	2930740044	A	B	Cover
30	2932776004	A	B	Instruction Plate
31	2932779008	A	B	Label
32	3850585047	A	B	Plug
33	3858039096	A	B	Screw, MRX M5x14
34	2932855014	A	B	Fastening Bow
35	2932660018	A	B	Rail
36	3851088025	A	B	Bracket Thermistor
37	2932690023	A	B	Base, Cover, Brown
39	3858010089	A	B	Washer
48	3858004058	A	B	Screw, MRX M4x4
50	3850774013	A	B	Label
66	2932680016	A	B	Switch
107	3858010113	A	B	Washer, BRB 6.4x12.5
108	3858009040	A	B	Nut, ML M6
531	3858039047	A	B	Screw MRX M4x10
999	2932750090	A	--	Door Reversing Kit, LH-RH
	2932750082	--	B	Door Reversing Kit, RH-LH

BURNER AND CONTROL, PARTS



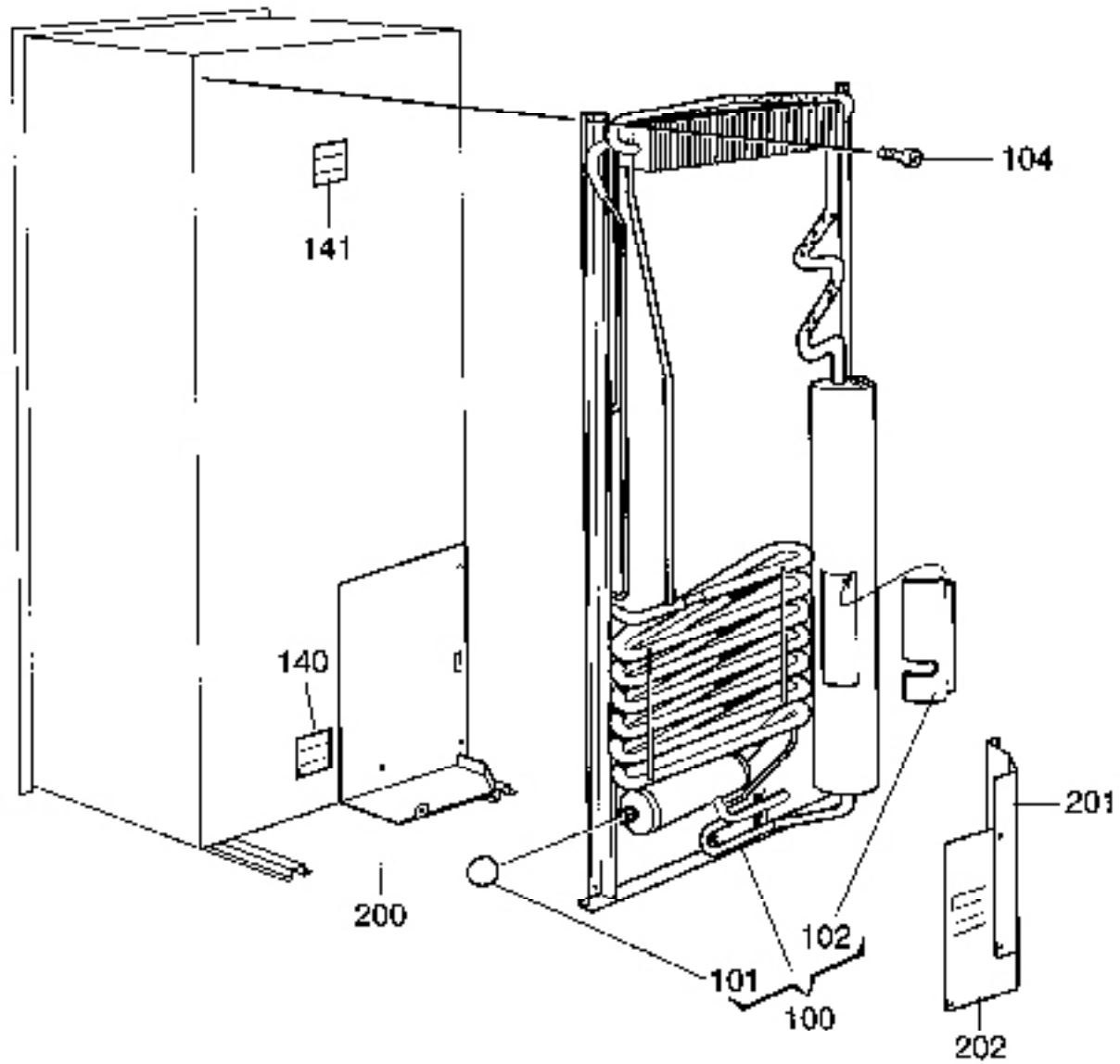
BURNER AND CONTROL, PARTS

DM2652 Prod No.921144184 = A

DM2652 Prod No. 921144185 = B

Index	Part Number	Model		Description
1	0140207044	A	B	Nut
10	2932603018	A	B	Burner Housing
17	3858039039	A	B	Screw, MRX M4x8
18	3858039047	A	B	Screw, MRX M4x10
19	3858002144	A	B	Screw, RXS B6x9.5
20	2932615012	A	B	Solenoid Valve
21	3858002151	A	B	Screw, RXS B6x13
22	3858005014	A	B	Screw RXK B6x9.5
25	3858010071	A	B	Washer 12.5x18x1
32	2930697079	A	B	Burner W/Conductor
33	2932781012	A	B	Electrode, W/Conductor
38	2007419217	A	B	Jet #58
45	3850712013	A	B	Power Module
48	3851059034	A	B	Conductor, Thermistor
49	2954539041	A	B	Conductor, Solenoid Valve
53	2932661016	A	B	Cover
55	2932662014	A	B	Bracket
57	2954542037	A	B	Conductor, PCB
68	3850644422	A	B	Heater 325W, 120VAC
70	2007457001	A	B	Washer, 0.5mm
84	3858022019	A	B	Terminal block
85	3858002185	A	B	Screw RXS B6x25
91	3858002177	A	B	RXS B6x19
113	2932733005	A	B	Label
115	2932667039	A	B	Flue Baffle
120	2002699094	A	B	Cord Set
150	3850337019	A	B	Bracket
151	0561014010	A	B	Cable Clamp
152	3850377015	A	B	Retainer Solenoid valve
153	3858018017	A	B	Screw, M5x25
250	3858004033	A	B	Screw, MRX M4x16
251	3858011012	A	B	Lock Washer 4.3x8
252	3858009016	A	B	Hex Nut M4x3.2
253	3858028024	A	B	Lock Nut M4

CABINET, REAR PARTS



NCMOE2093584

CABINET, REAR PARTS

DM2652 Prod No.921144184 = A
DM2652 Prod No. 921144185 = B

Index	Part Number	Model		Description
100	2934606100	A	B	Cooling Unit W/thermofuse type 606
101	0173228008	A	B	Cap
102	2933557007	A	B	Cover Sheet
104	3858068012	A	B	Screw, DK 4.8x16
140	3850582002	A	B	Label
141	3850583000	A	B	Label
200	3851300016	A	B	Cover Plate
201	3851301014	A	B	Cover Plate, Side
202	3851302012	A	B	Cover Plate, Back

WIRING DIAGRAM

DM2652 Prod No.921144184 = A

DM2652 Prod No. 921144185 = B

